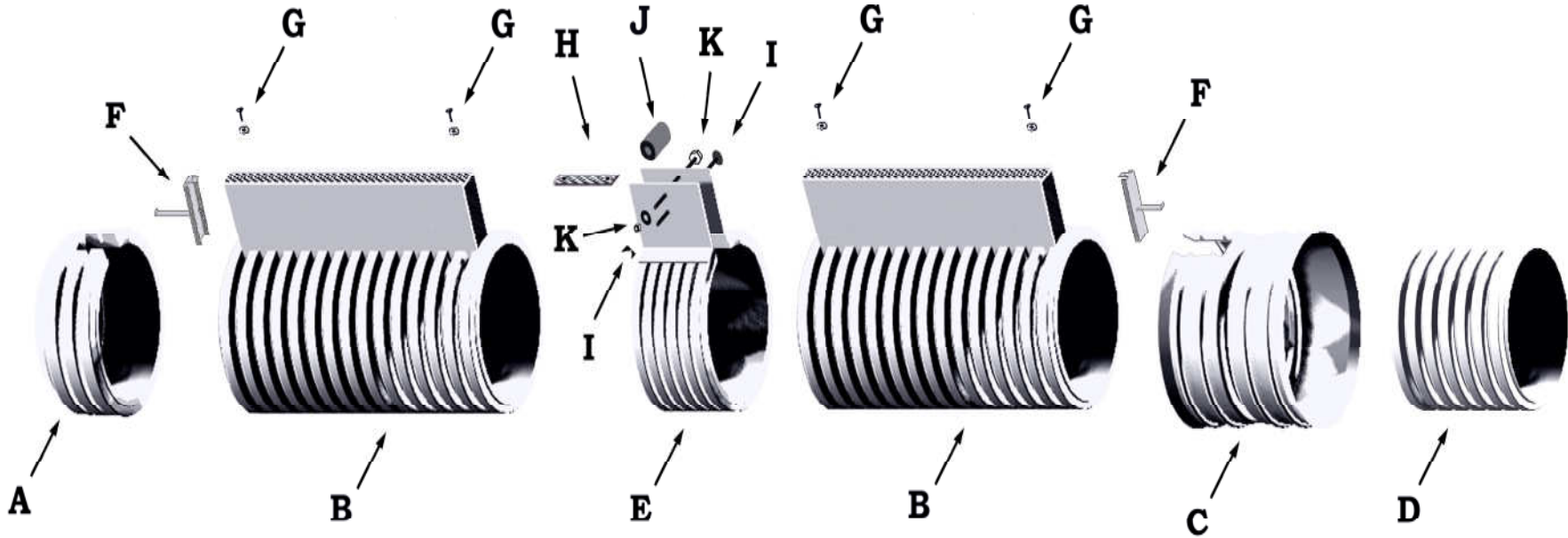


## COMPLETE DURASLOT® ASSEMBLY EXAMPLE



A. DURASLOT End Cap

B. DURASLOT Pipe

C. DURASLOT Adapter

D. ADS N-12 Pipe / Hancor HiQ

E. DURASLOT Coupler Band

F. DURASLOT Grate Anchor

G. 1/4" SPHS x 3/4" Long w/ Washer

H. DURASLOT Grate Connector

I. 5/16" Thumbscrew x 3" Long w/ 5/16" Wingnut

J. Plastic Sleeve Spacer (goes on I. - not used with 4" DIA.)

K. Hex Head Assembly:

5/16" Hex Head Screw x 3" Long

w/ (2) Washers and 5/16" Hex Nut

(K. used with 12" DIA. and up, 6" Slot Height and taller)

Each Cap A, Adapter C comes with an Anchor F  
Each Coupler Band E comes with hardware G, H, I, J, K